

MMS Series

MMS1016



Medical Rugged Mobile Tablet PC



- Power by Intel® Celeron N3350 Dual Core Processor
- 10.1" 1280 x 800 WXGA 300 nits LCD Display
- Built-in WIFI, BT & NFC Reader
- MIL-STD-810G 1.2m (4 ft.) Drop Resistance
- IP65 Ruggedize Protection
- Compliant With More Than 30+ Countries Certification



Medical &
Healthcare



Daily Patient
Management



Remote Mobile
Medical Service



Medicine
Management



Emergency
Field

Specification

MMS1016

Display

Display Type	10.1" TFT LCD
Resolution	1280 x 800
Aspect Ratio	16:10
Brightness	300 nits
Touch Panel	10 Points Projected Capacitive Touch

System

Processor	Intel® Celeron N3350 Dual Core Intel® Pentium N4200 Quad Core (Optional)
GPU	Intel® HD Graphics 505
Memory	1 x LPDDR4 4GB (Max.8GB)
Storage	1 x M.2 SSD 128GB (Up to 1TB)
I/O Ports	2 x USB 3.0 Type A 1 x HDMI 1 x Audio Jack 1 x Micro SD Card Slot 1 x DC-In
Operating System	Windows 10 IoT, Android 8.1

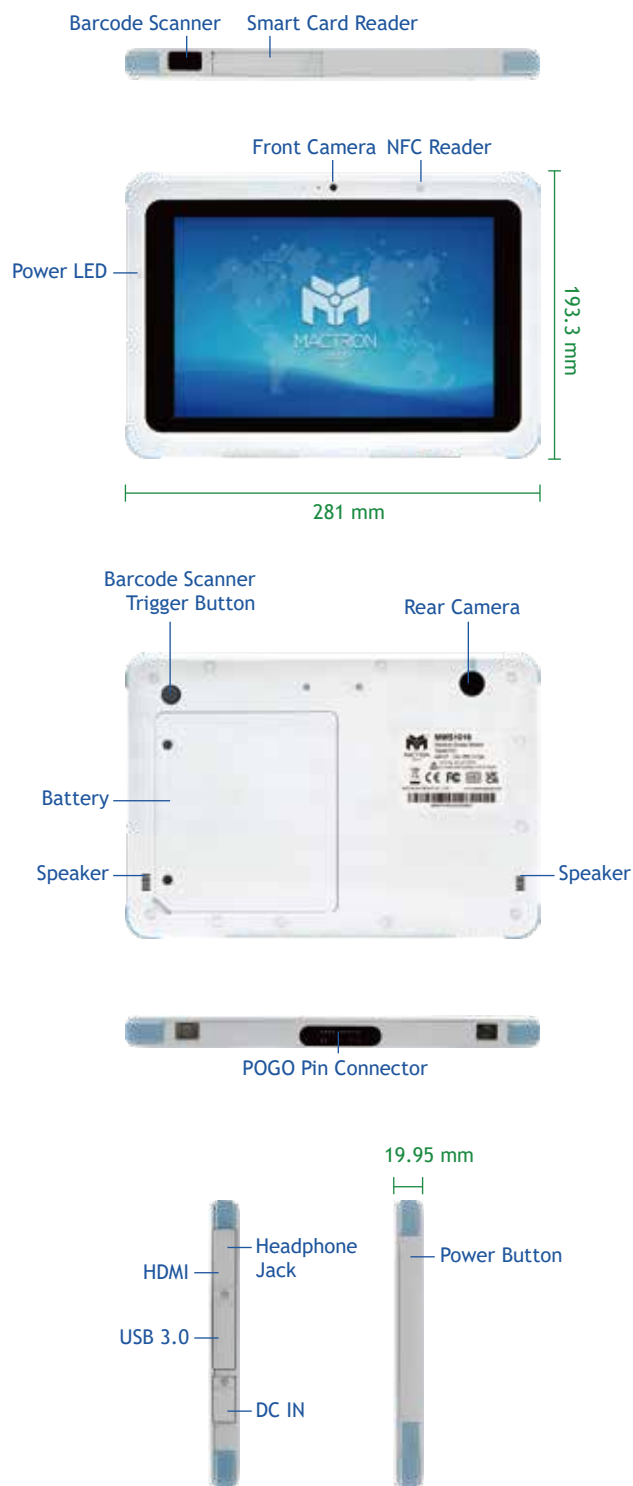
Physical

Camera	2MP Front Camera 8MP Rear Camera With Auto Focus
Speaker	Internal Speaker
Mounting	VESA Mount 75 x 75 mm
Color	White & Tiffany Blue
Dimensions (WxHxD)	281 x 193 x 19 mm
Weight	1 kg
Enclosure	Rugged Rubber Plastic
Button	1 x Power On/Off 1 x Barcode Scanner Trigger
Sensor	G-Sensor Light-Sensor
Battery	3,950 mAh/ 8.4 V (Removable)
Using Time	6 Hours
Power Adapter	DC 19V/3.4A, 65W
Communication	WLAN 802.11 a/b/g/n/ac Bluetooth 5.0
Data Collection	NFC 4G LTE (Optional) Barcode Scanner (Optional) Smart Card Reader (Optional)
Standard Accessory	1 x Power Adapter

Environment

IP Rating	IP65
Drop Test	4-Foot Drop on Concrete Floor, MIL-STD-810G 516.6 Procedure IV
Certification	EN 60601, CE, FCC, VCCI, UKCA
Operating Temperature	0°C ~ 40°C
Storage Temperature	-20°C ~ 60°C
Relative Humidity	15% - 95% RH non-condensing
Warranty	2 Years

Overview



Optional Accessory



AWMAW16
Mounting Holder



ADOCKW6
Docking Station



ACHABW6
Battery Charger
(3 slots)



ADA193M
Power Adapter
19V/3.4A



ABAT106
Removable
Battery



ASTRAB6
Shoulder Strap

AWMAW16

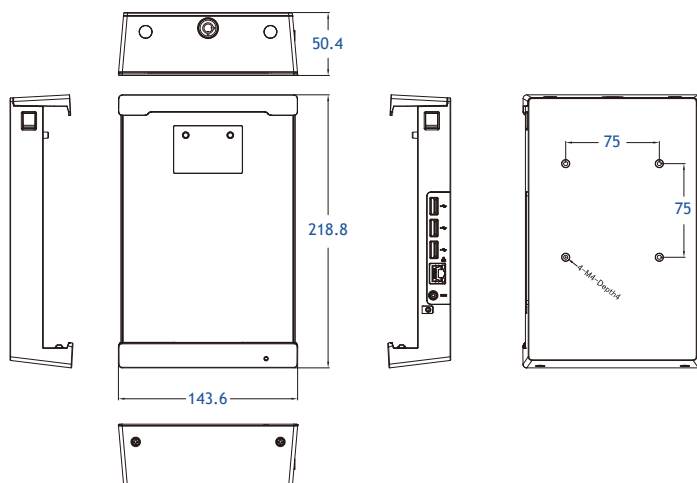
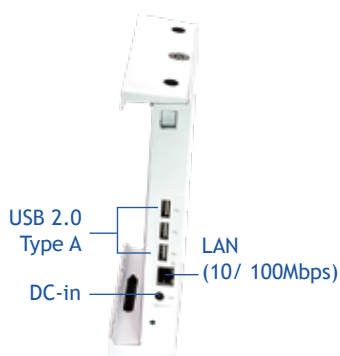
Mounting Holder

I/O Port:

- 3 x USB 2.0 Type A
- 1 x LAN (10/ 100Mbps)
- 1 x DC-in

Packing List:

- 1 x Mounting Holder
- 2 x Keys
- 1 x Bracket
- 1 x Screw



ADOCKW6

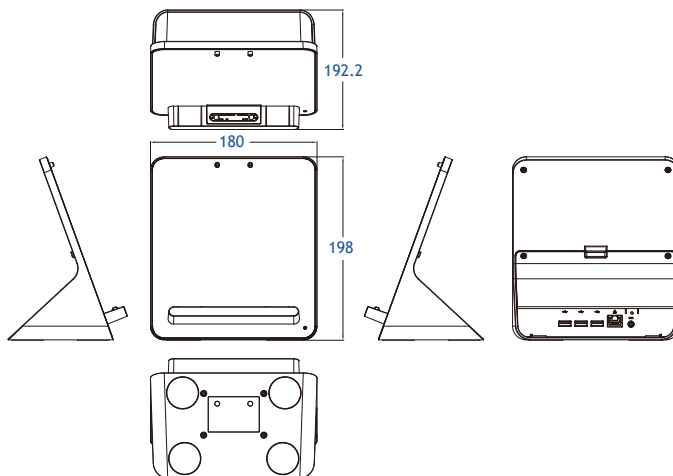
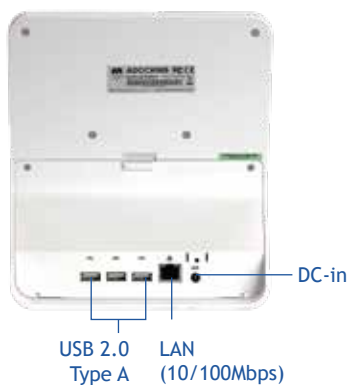
Docking Station

I/O Port:

- 3 x USB 2.0 Type A
- 1 x LAN (10/ 100Mbps)
- 1 x DC-in

Packing List:

- 1 x Docking Station
- 1 x Bracket
- 1 x Screw



ACHABW6

Battery Charger (3 slots)

Packing List:

- 1 x Battery Charger
- 1 x Power Adapter
- 1 x Screw

